

1 When a Paper/Staple Jam Is Occurring

1.1 Screen That Appears When a Paper/Staple Jam Has Occurred

If any paper/staple jam has occurred on this machine as shown in the screen shot below, the **Touch Panel** shows the section where the jam has occurred. In an occurrence of a paper/staple jam, check the **Touch Panel** to see where it is occurring, and follow the guidance regarding corrective actions to take.

The blinking "number enclosed in a circle" represents the section where a paper/staple jam is occurring.

Tap [Start Guidance] and follow the guidance (instructions) to remove jammed paper.

If the jam is not completely cleared, the following message appears: [Paper remaining in device. Remove paper according to instructions.]. Follow the guidance again to remove paper.



Item	Description
[Start Guidance]	Tap this key to start animated instructions showing how to remove paper/staple jam.
Number enclosed in a circle (indicating the location number for the section with a paper/staple jam)	A section chart is displayed with a location number enclosed in a circle for a section where a paper/staple jam has occurred.

1.2 When a Paper/Staple Jam Is Occurring

If a paper jam has occurred, take action referring to the following pages.

- To use the **ADF**, refer to page 1-5.
- To use the right-side door, refer to page 1-7.
- To use a paper tray, refer to page 1-8.
- To use the **Large Capacity Unit**, refer to page 1-9.
- To use the **Finisher FS-535**, refer to page 1-10.
- To use the **Z Folding Unit ZU-606**, refer to page 1-12.
- To use the **Post Inserter PI-505**, refer to page 1-13.
- To use the **Job Separator JS-602**, refer to page 1-14.
- To use the **Finisher FS-534**, refer to page 1-15.
- To use the **Finisher FS-533**, refer to page 1-17.
- To use the **Job Separator JS-506**, refer to page 1-18.

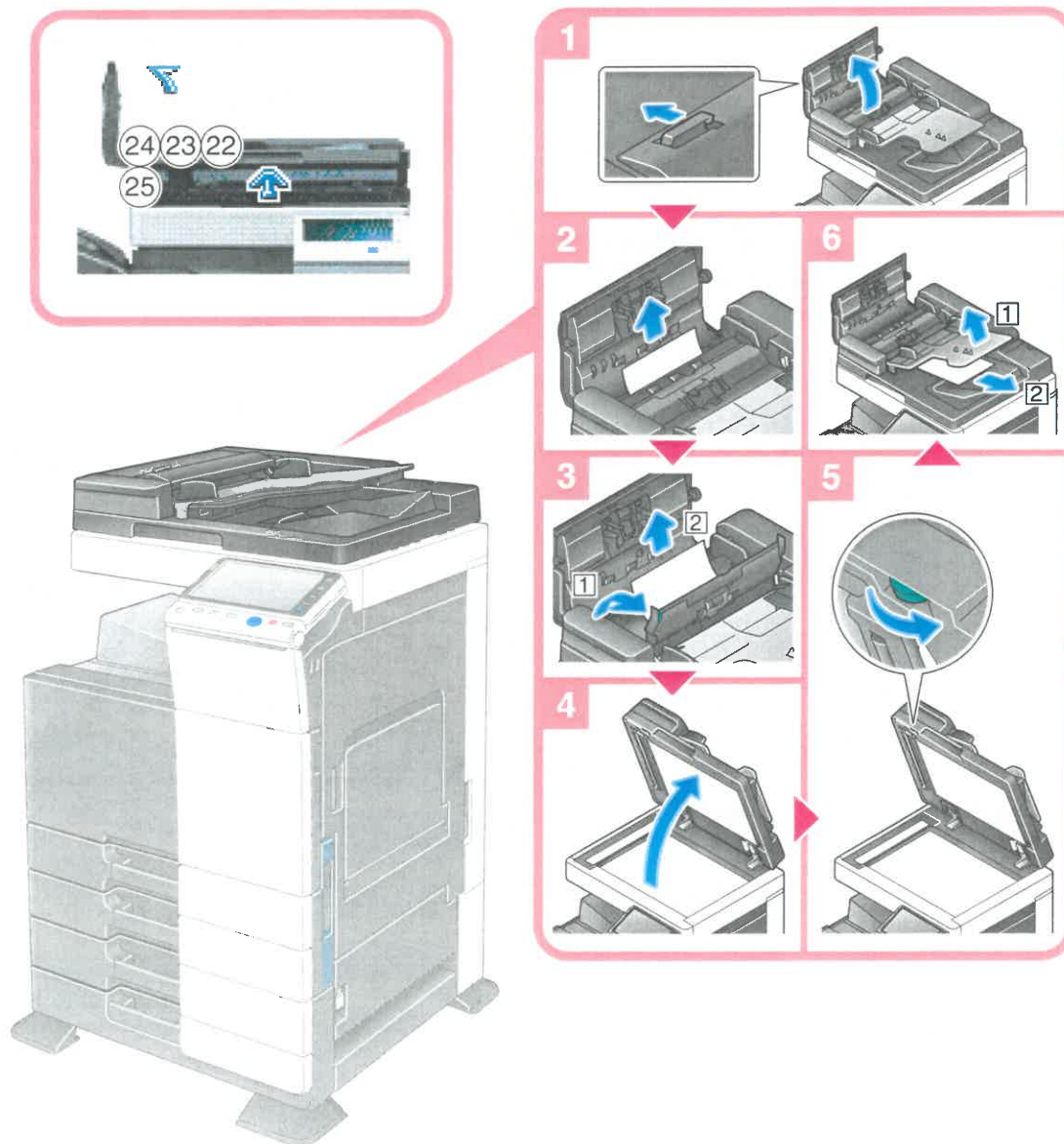
If a staple jam has occurred, take action referring to the following pages.

- To use the **Finisher FS-535**, refer to page 1-19.
- To use the **Saddle Stitcher SD-512**, refer to page 1-20.
- To use the **Finisher FS-534**, refer to page 1-21.
- To use the **Saddle Stitcher SD-511**, refer to page 1-22.
- To use the **Finisher FS-533**, refer to page 1-23.

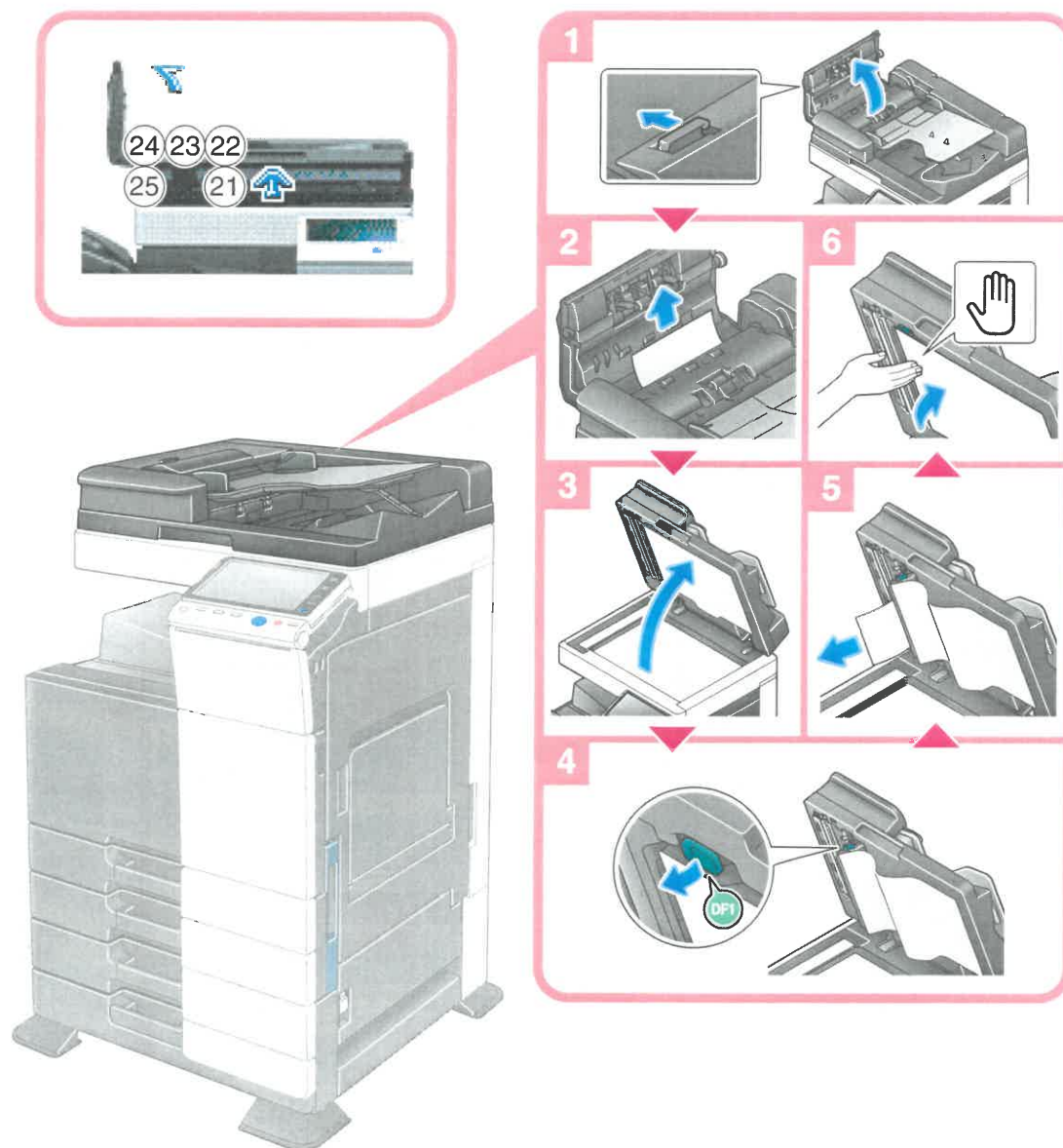
1.3 When a Paper Jam Has Occurred

1.3.1 Paper Jam in ADF

For Reverse Automatic Document Feeder DF-624 (only for bizhub C364/C284/C224)



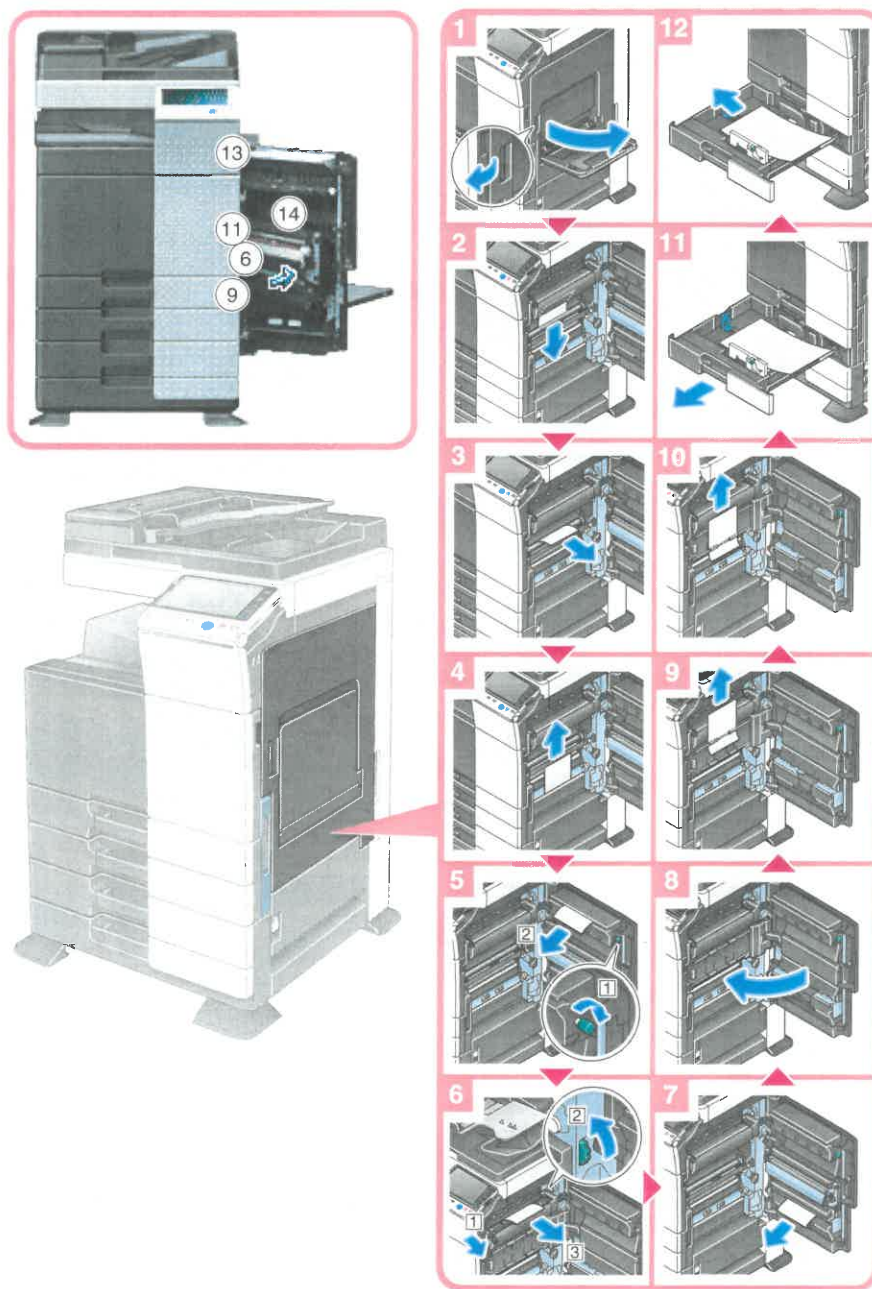
For Dual Scan Document Feeder DF-701



NOTICE

When closing the **Opening and closing guide**, press the **Hand mark** in the center and check that it is locked securely.

1.3.2 Paper Jam at Right-side Door



⚠ CAUTION

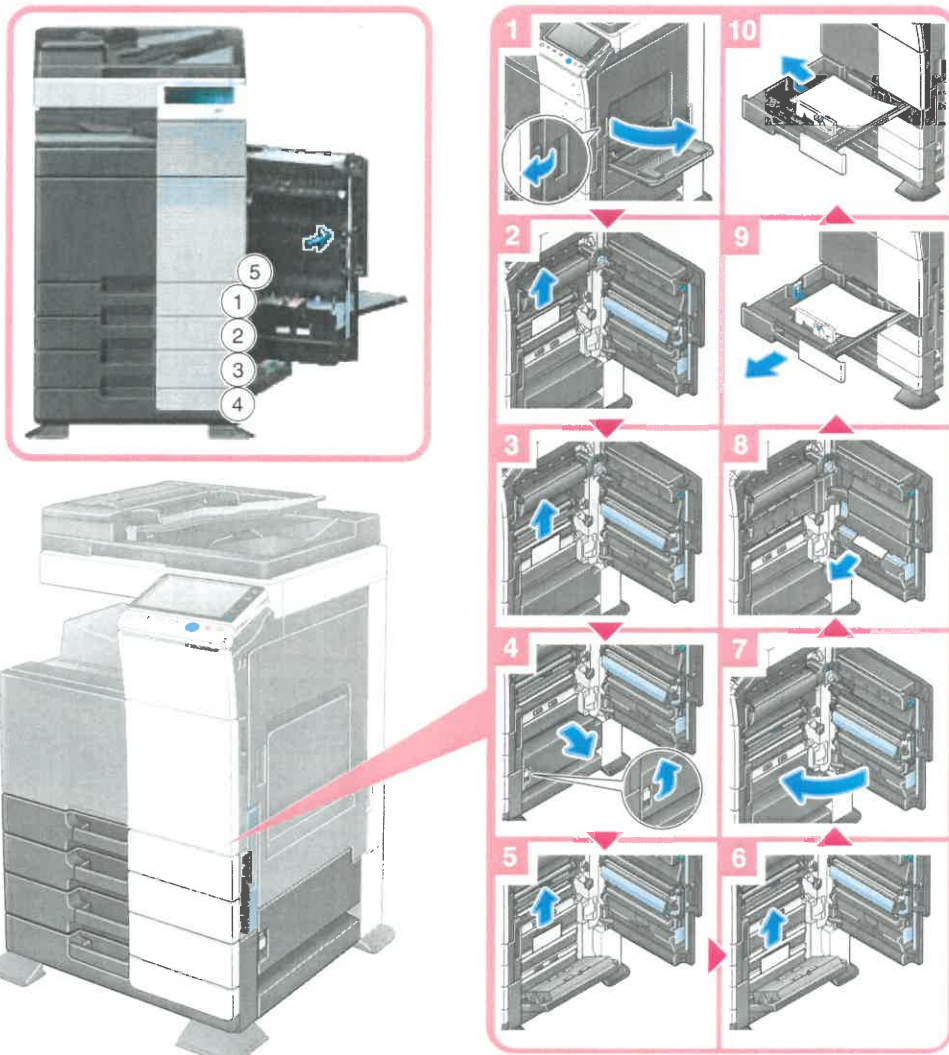
The area around the fusing unit is hot.

- To avoid a burn injury, be careful not to touch any parts except for the specified knob and dial.
- In case your hand or any other part of your body comes in contact with the heated section, immediately run it under cold water and seek medical assistance.

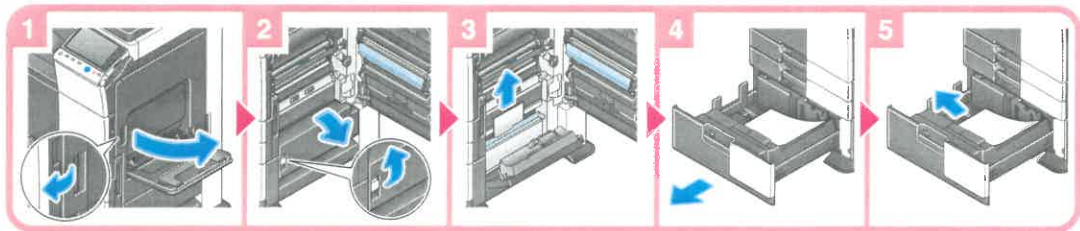
⚠ CAUTION

- Carry out this work carefully so that you keep the inside of the machine, your clothing and hands free from toner contamination.
- If any toner does get on your hand, wash it off using water or neutral detergent.
- If any toner gets into your eyes, immediately wash it out with water and consult your doctor.

1.3.3 Paper Jam in Paper Tray



LCT (built-in)



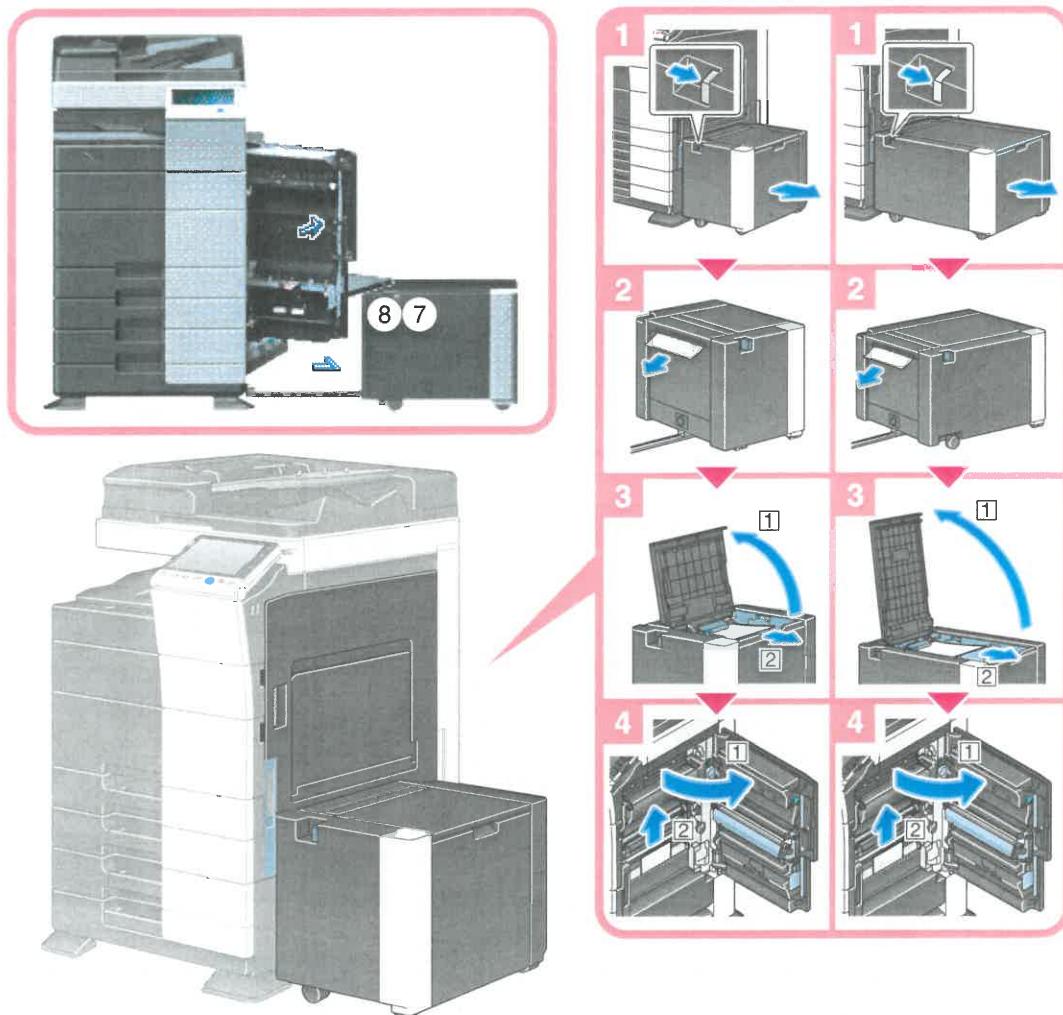
Tips

- The figure above shows the **Paper Feed Cabinet PC-210** installed.

NOTICE

*Be careful not to touch the surface of the **Transport Roller** with your hand.*

1.3.4 Paper Jam in Large Capacity Unit (Only for bizhub C554/C454)



Tips

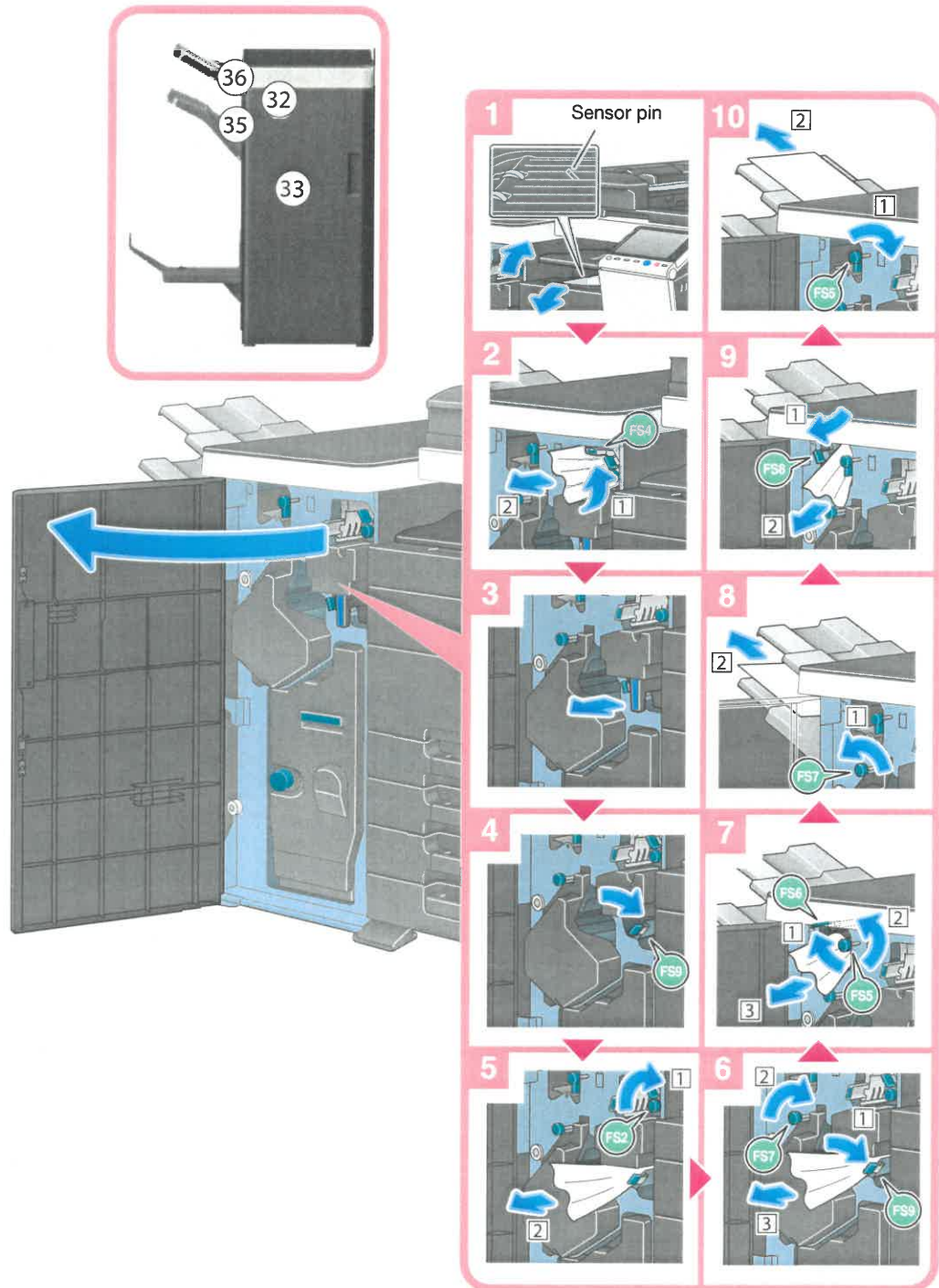
- The figure above shows the **Large Capacity Unit LU-301** installed.

NOTICE

Be careful not to touch the surface of the roller with your hand.

1.3.5 Paper Jam in Finisher FS-535 (Only for bizhub C554)

Sections inside the finisher prone to paper jams vary depending on the settings for [Finishing].



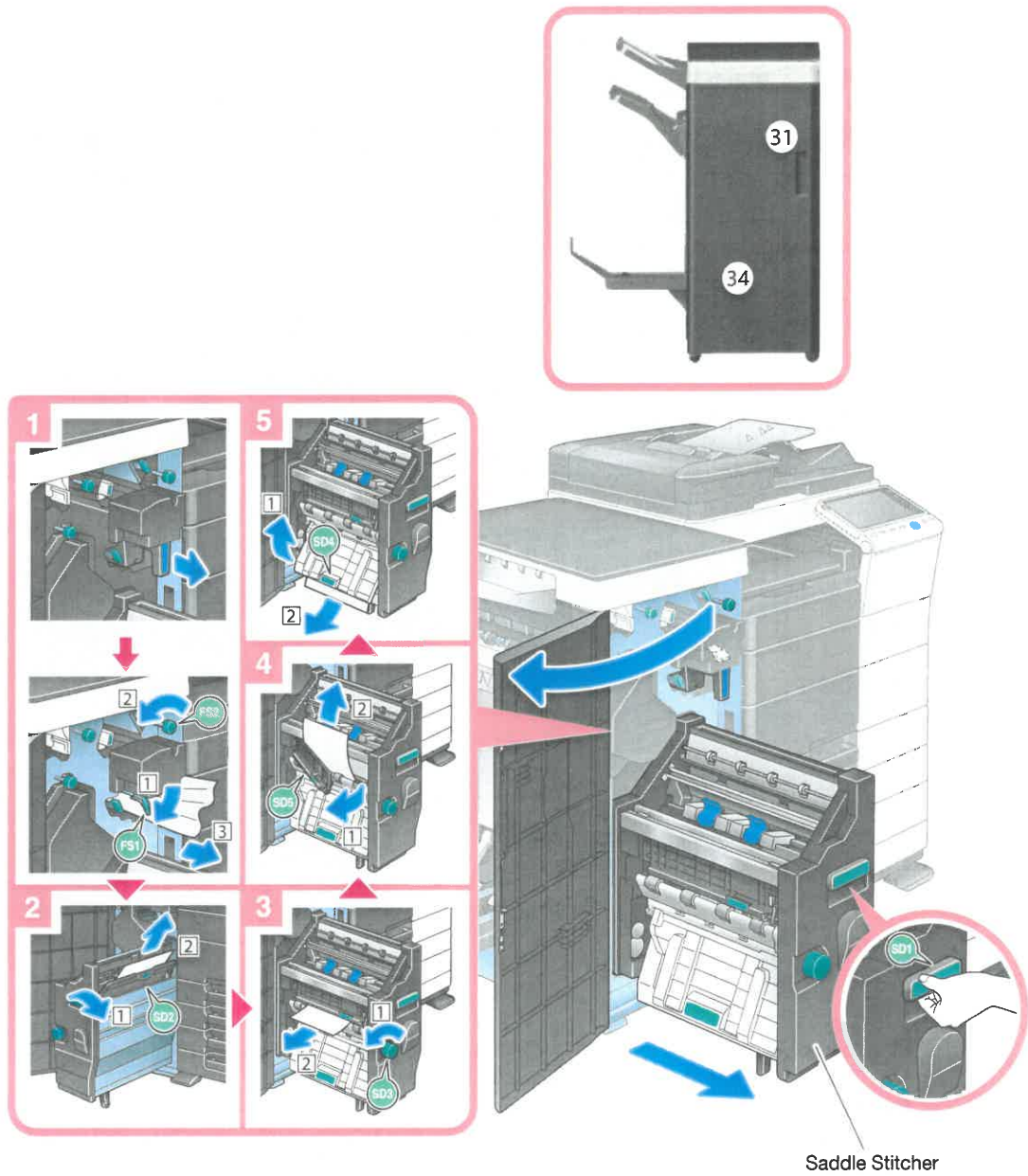
Tips

- The figure above shows the **Finisher FS-535** equipped with **Saddle Stitcher SD-512** and **Punch Kit PK-521**.

NOTICE

*Do not strongly press or pull out the **Sensor pin** in the **Horizontal Transport Unit**. Doing so may cause a damage of the **Horizontal Transport Unit**.*

Sections inside the finisher prone to paper jams vary depending on the settings for [Finishing].



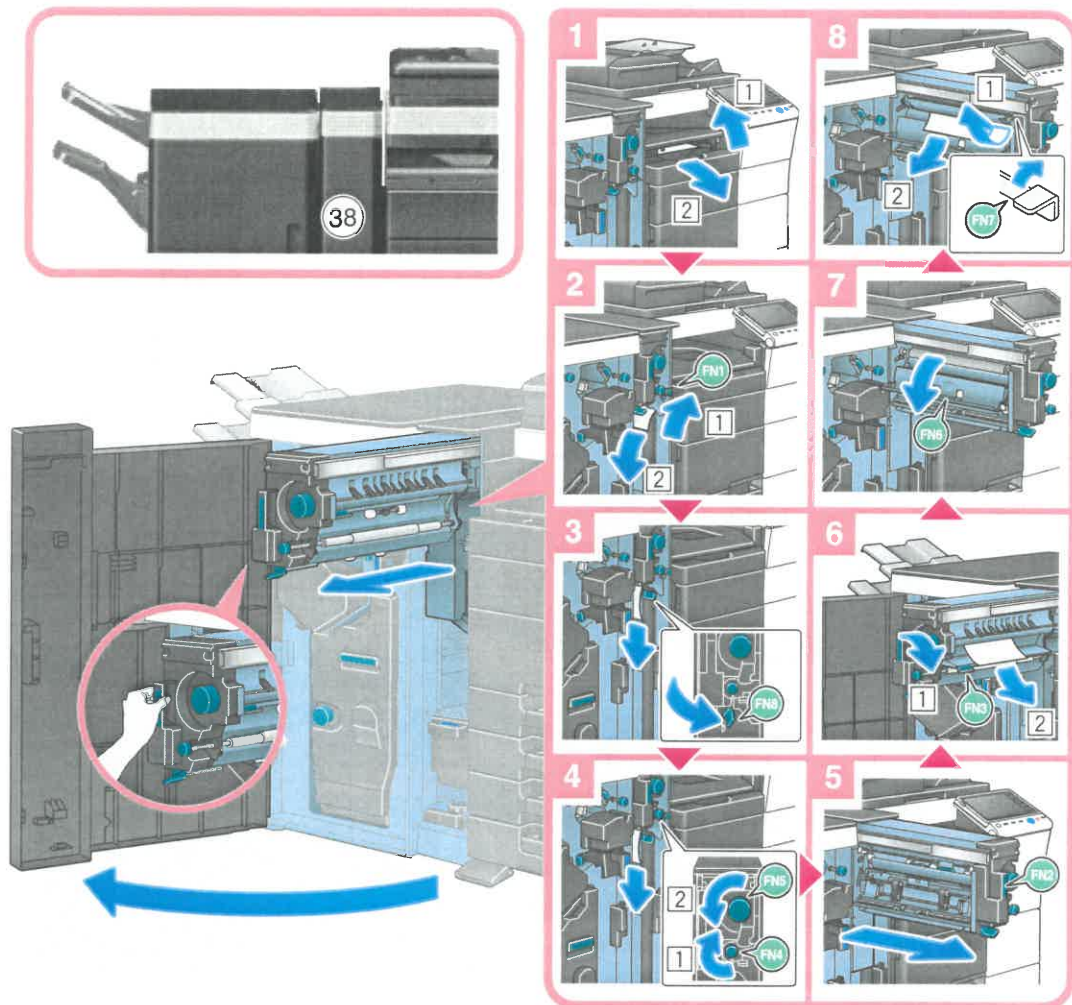
Tips

- The figure above shows the **Finisher FS-535** equipped with **Saddle Sticher SD-512** and **Punch Kit PK-521**.

NOTICE

*When moving the **Saddle Sticher**, be sure to only hold the handle. Otherwise, your hand or finger may get caught in the machine.*

1.3.6 Paper Jam in Z Folding Unit ZU-606 (Only for bizhub C554)



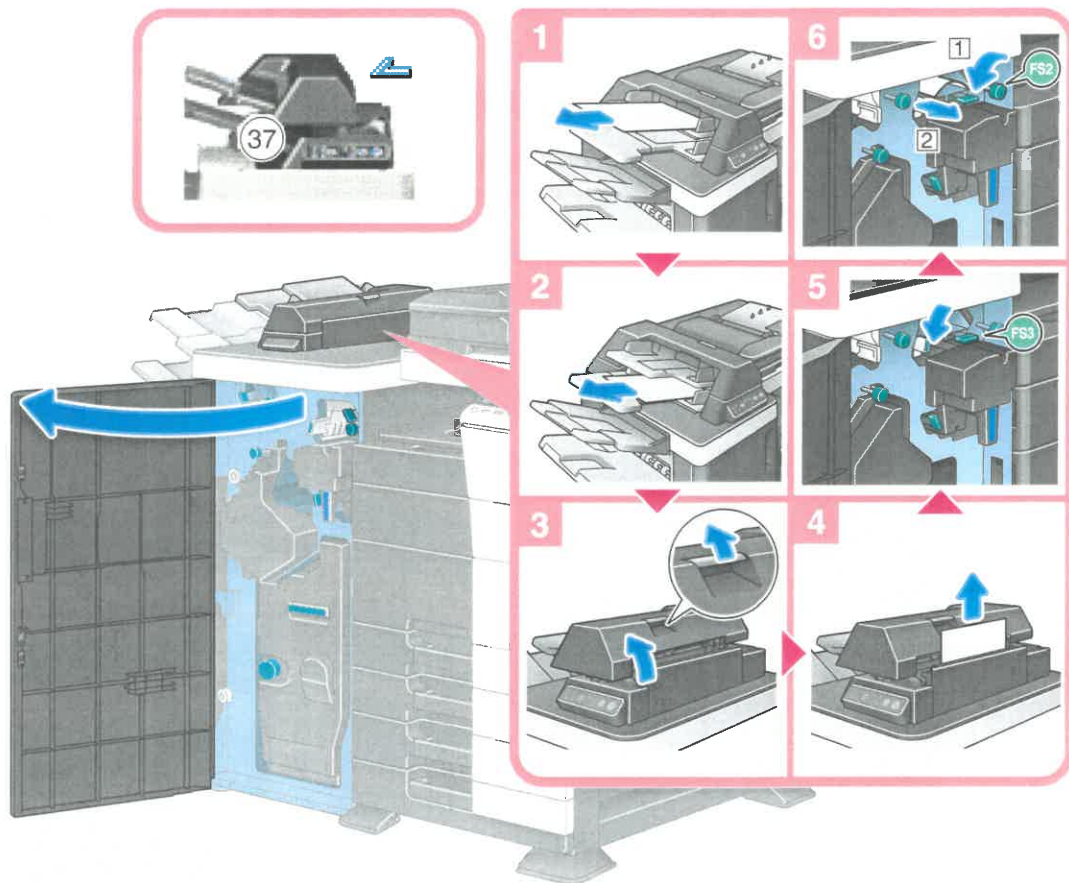
Tips

- The figure above shows the **Finisher FS-535** equipped with **Saddle Stitcher SD-512**, **Punch Kit PK-521**, and **Z Folding Unit ZU-606**.

NOTICE

*When moving the **Z Folding Unit ZU-606**, be sure to only hold the handle. Otherwise, your hand or finger may get caught in the machine.*

1.3.7 Paper Jam in Post Inserter PI-505 (Only for bizhub C554)



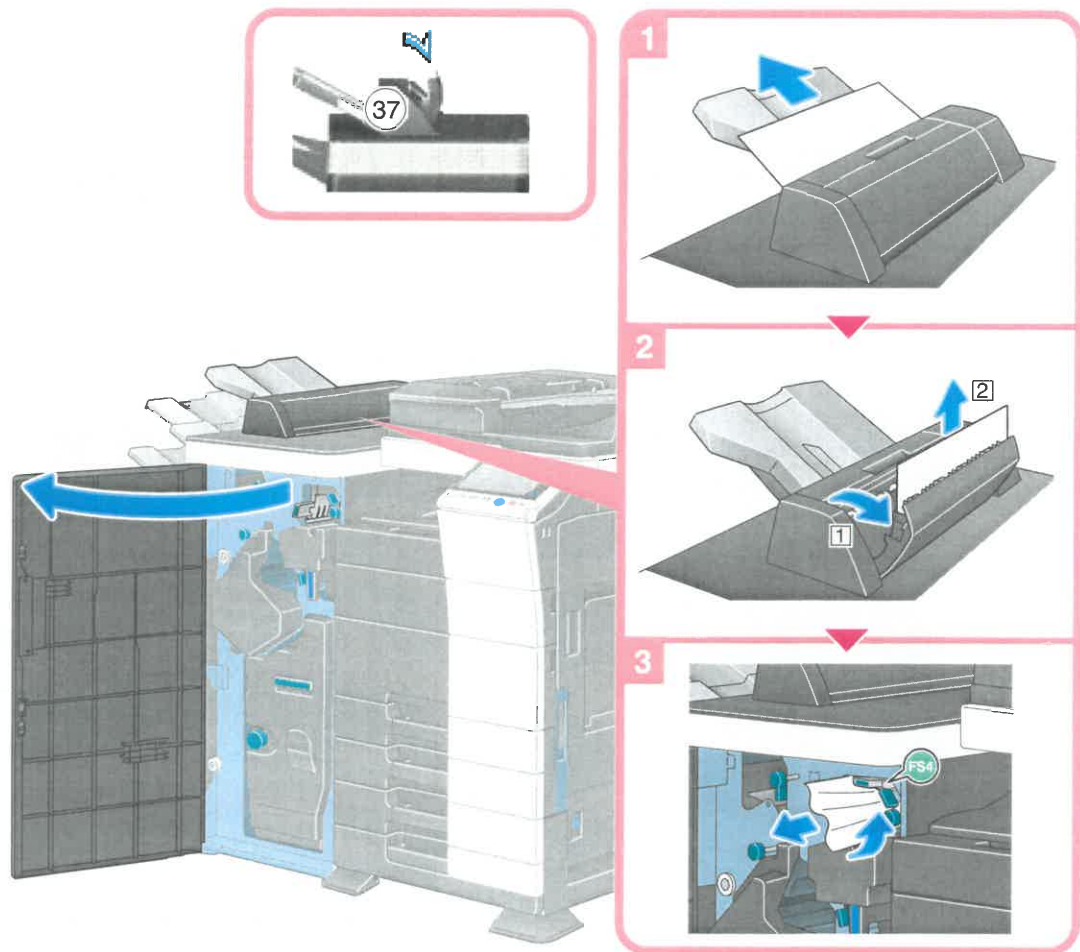
Tips

- The figure above shows the **Finisher FS-535** equipped with **Saddle Stitcher SD-512**, **Punch Kit PK-521**, and **Post Inserter PI-505**.

NOTICE

*When returning the **Upper Unit** of the **Post Inserter PI-505**, be careful not to get your fingers caught.*

1.3.8 Paper Jam in Job Separator JS-602 (Only for bizhub C554)

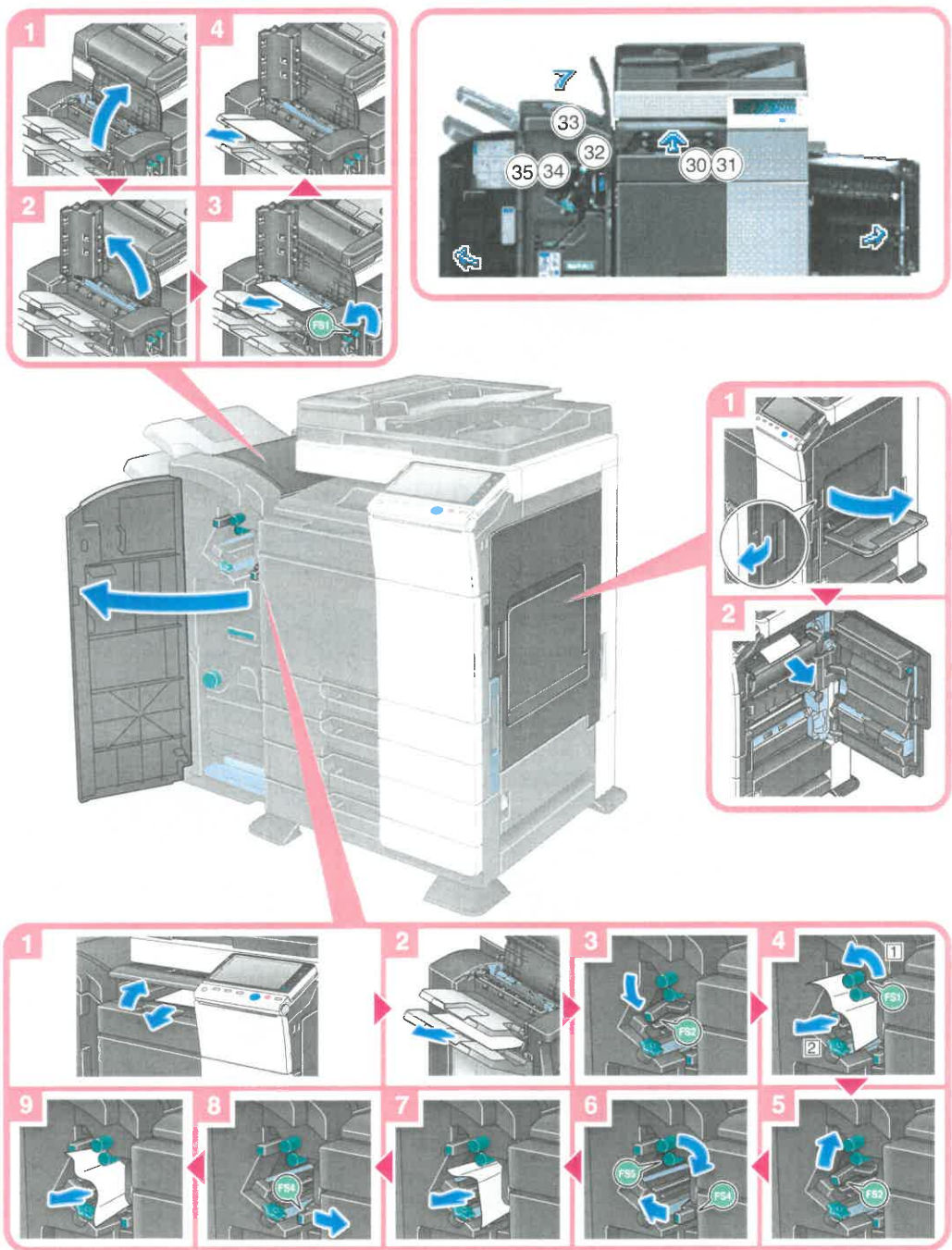


Tips

- The figure above shows the **Finisher FS-535** equipped with **Saddle Stitcher SD-512**, **Punch Kit PK-521**, and **Job Separator JS-602**.

1.3.9 Paper Jam in Finisher FS-534

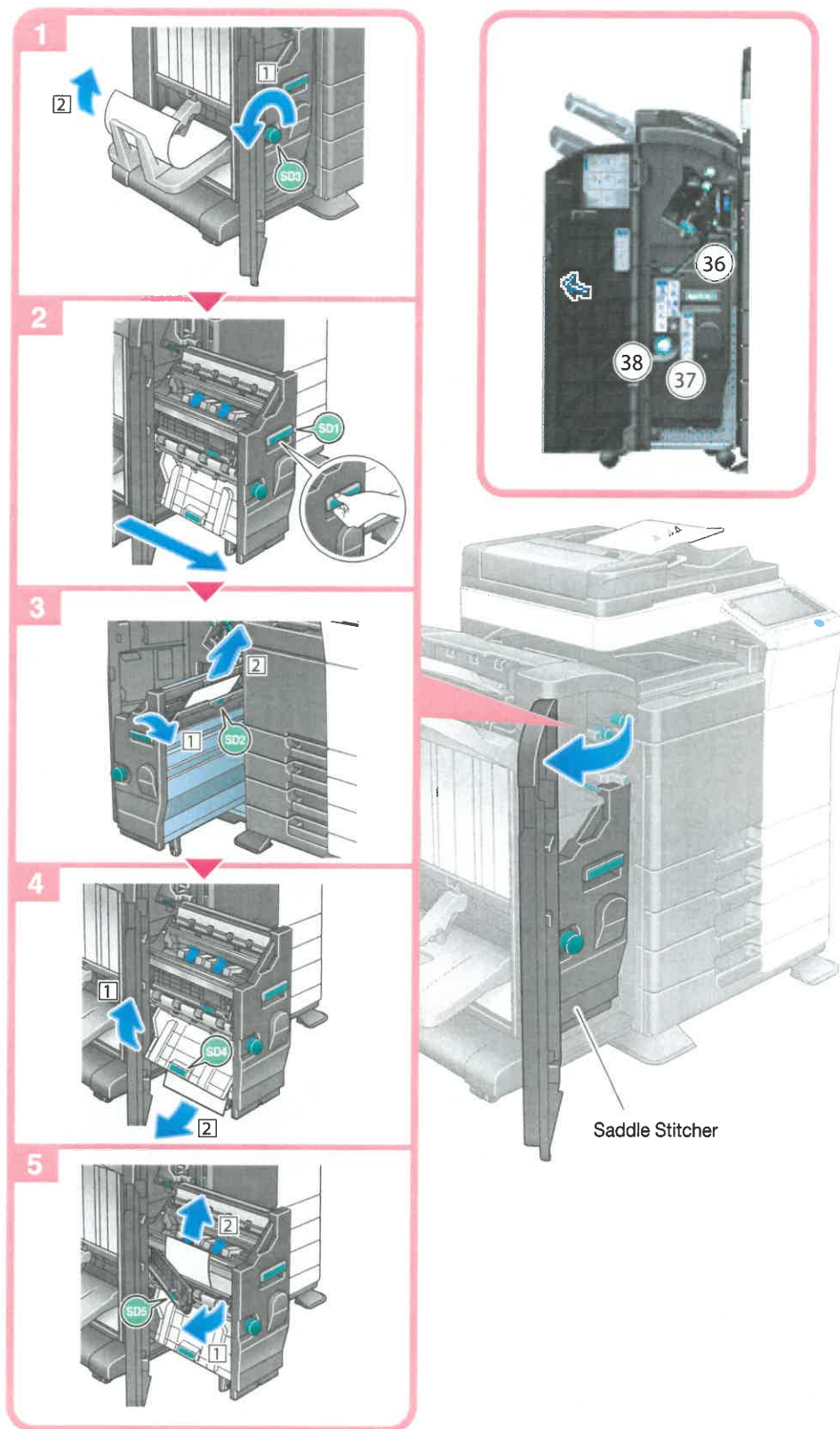
Sections inside the finisher prone to paper jams vary depending on the settings for [Finishing].



Tips

- The figure above shows the **Finisher FS-534** equipped with **Saddle Stitcher SD-511** and **Punch Kit PK-520**.

Sections inside the finisher prone to paper jams vary depending on the settings for [Finishing].



Tips

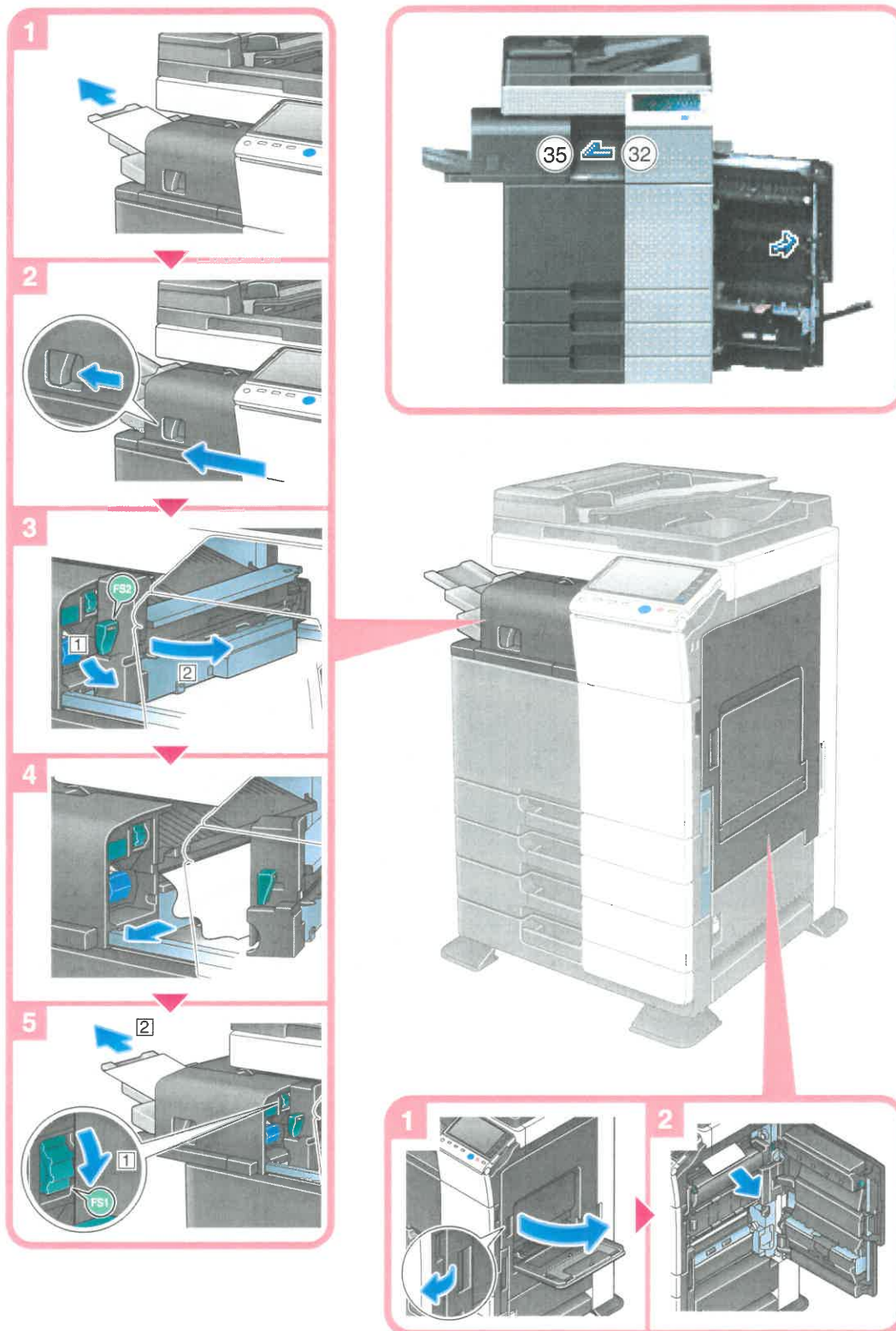
- The figure above shows the **Finisher FS-534** equipped with **Saddle Stitcher SD-511** and **Punch Kit PK-520**.

NOTICE

*When moving the **Saddle Stitcher**, be sure to only hold the handle. Otherwise, your hand or finger may get caught in the machine.*

1.3.10 Paper Jam in Finisher FS-533

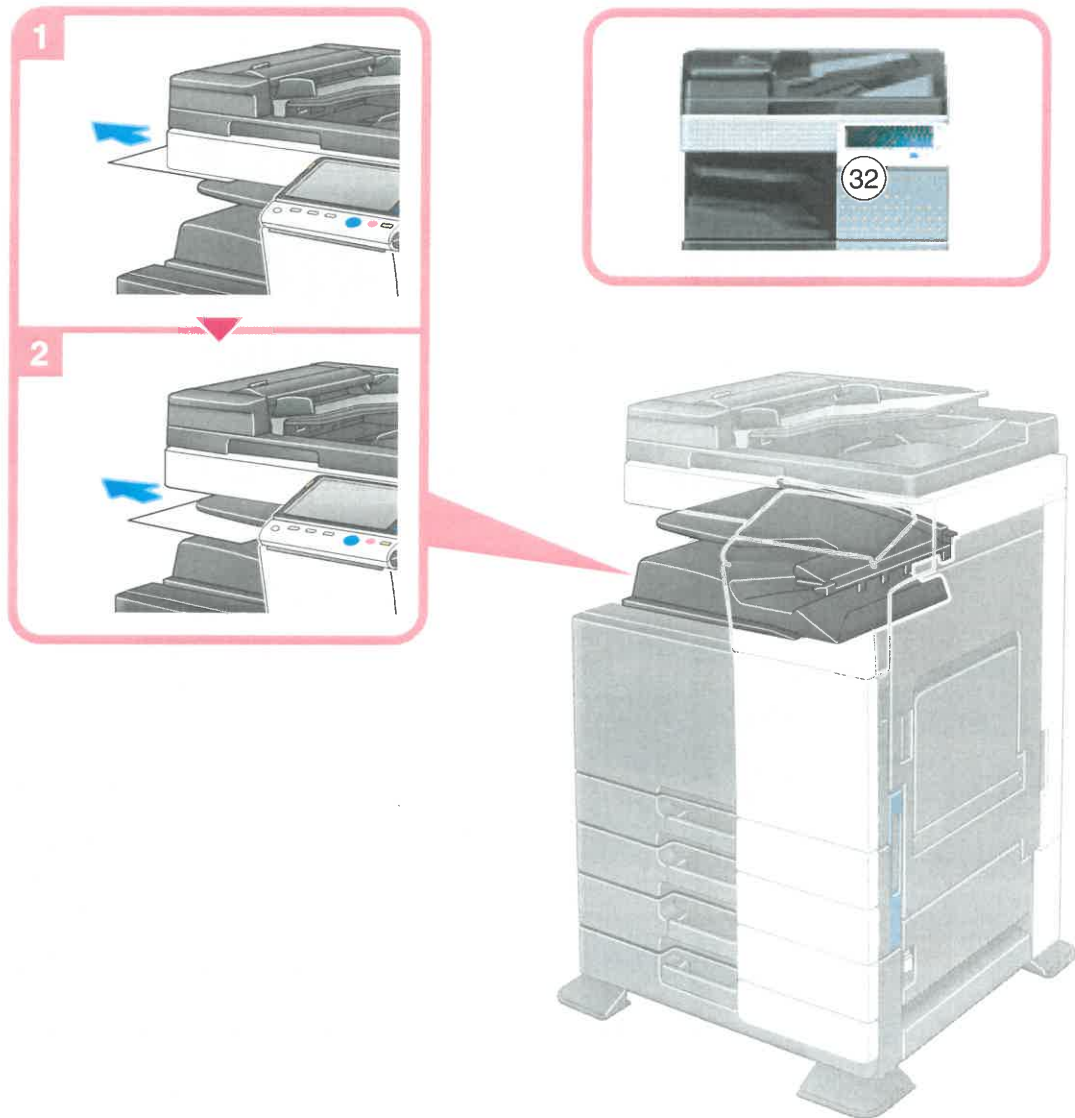
Sections inside the finisher prone to paper jams vary depending on the settings for [Finishing].



Tips

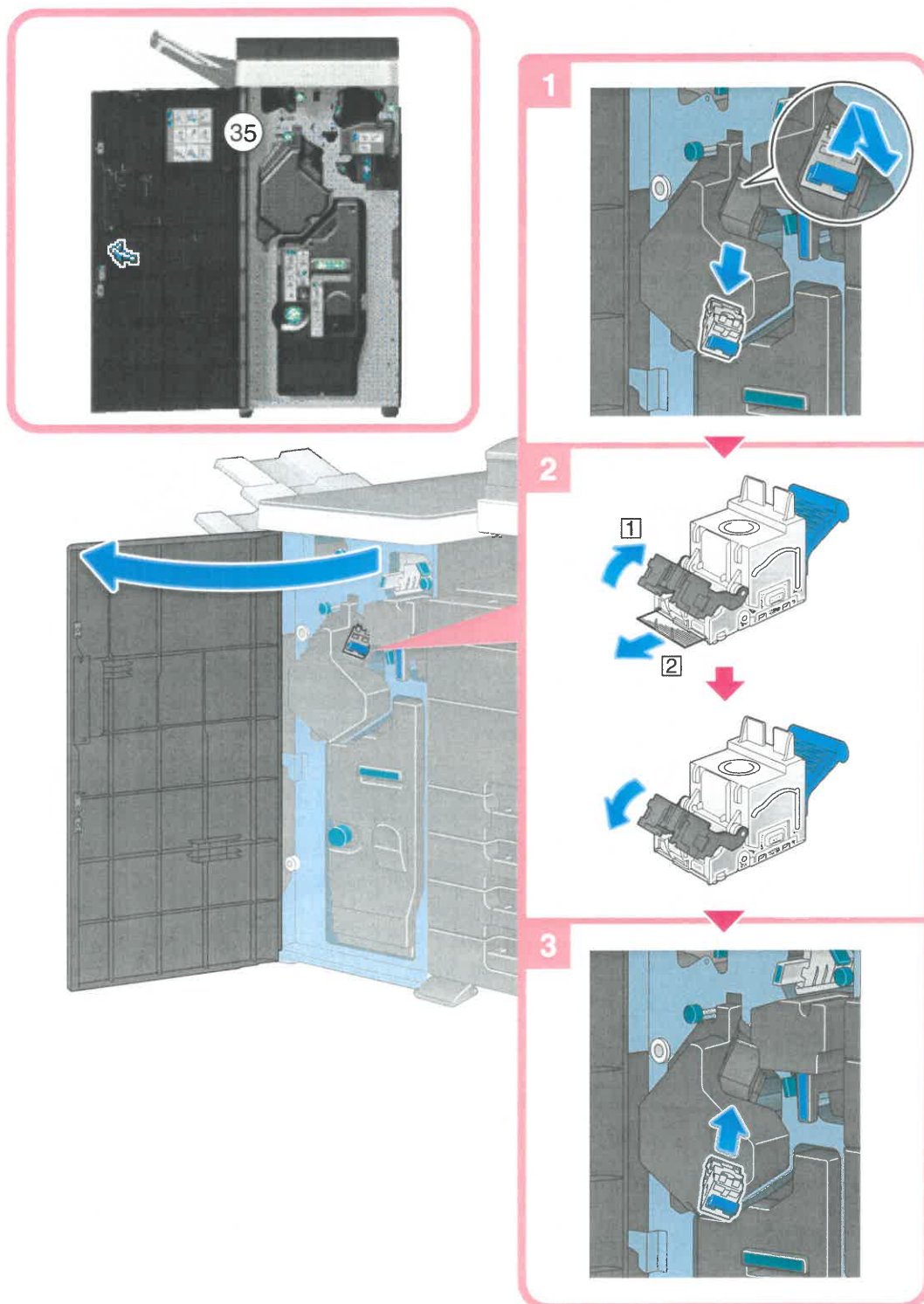
- The figure above shows the **Finisher FS-533** that is equipped with the **Punch Kit PK-519**.

1.3.11 Paper Jam in Job Separator JS-506



1.4 When a Staple Jam Has Occurred

1.4.1 Staple Jam in Finisher FS-535 (Only for bizhub C554)



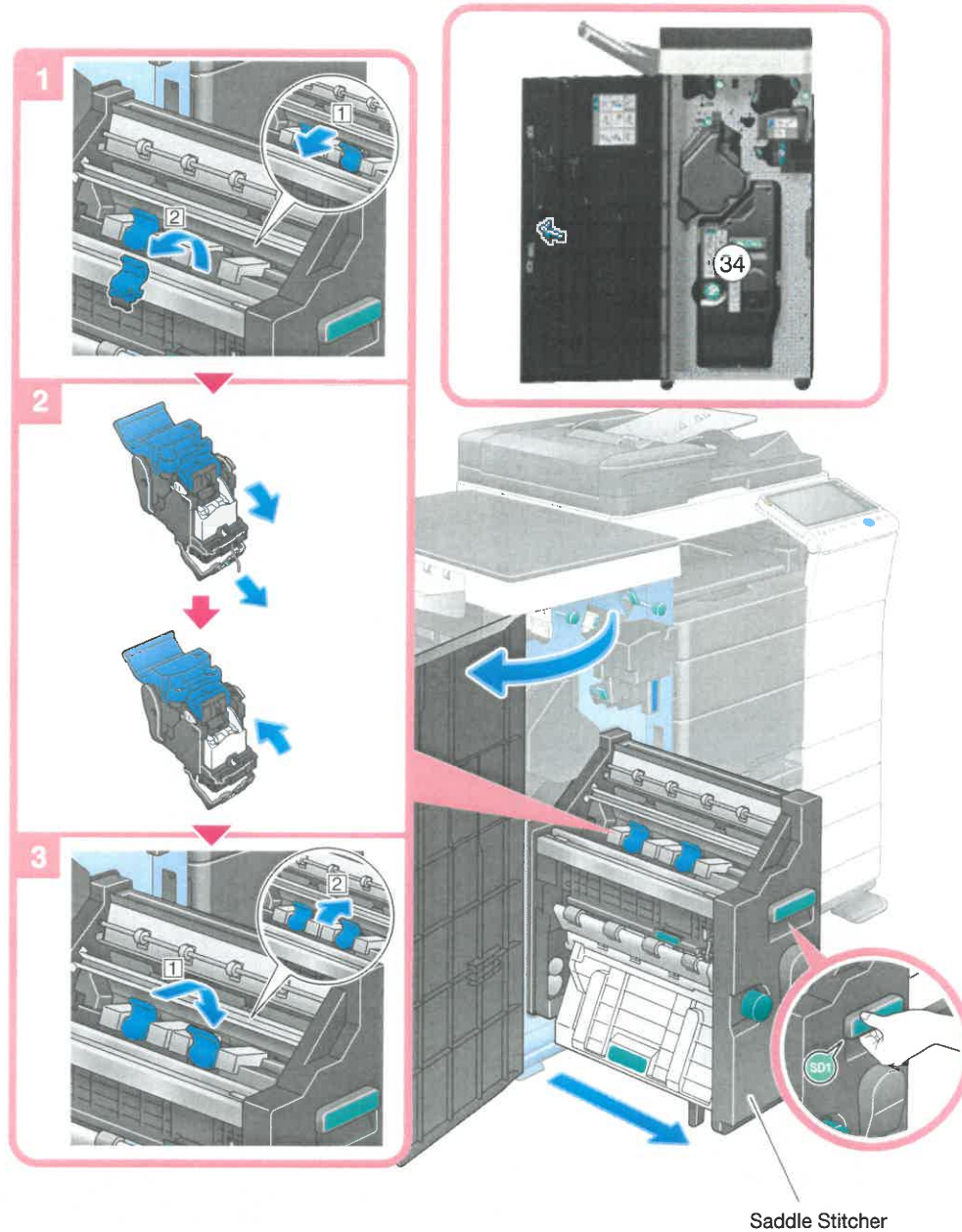
Tips

- The figure above shows the **Finisher FS-535** equipped with **Saddle Stitcher SD-512** and **Punch Kit PK-521**.

NOTICE

When removing a staple jam, do so carefully to prevent being injured.

1.4.2 Staple Jam in Saddle Stitcher SD-512 (Only for bizhub C554)



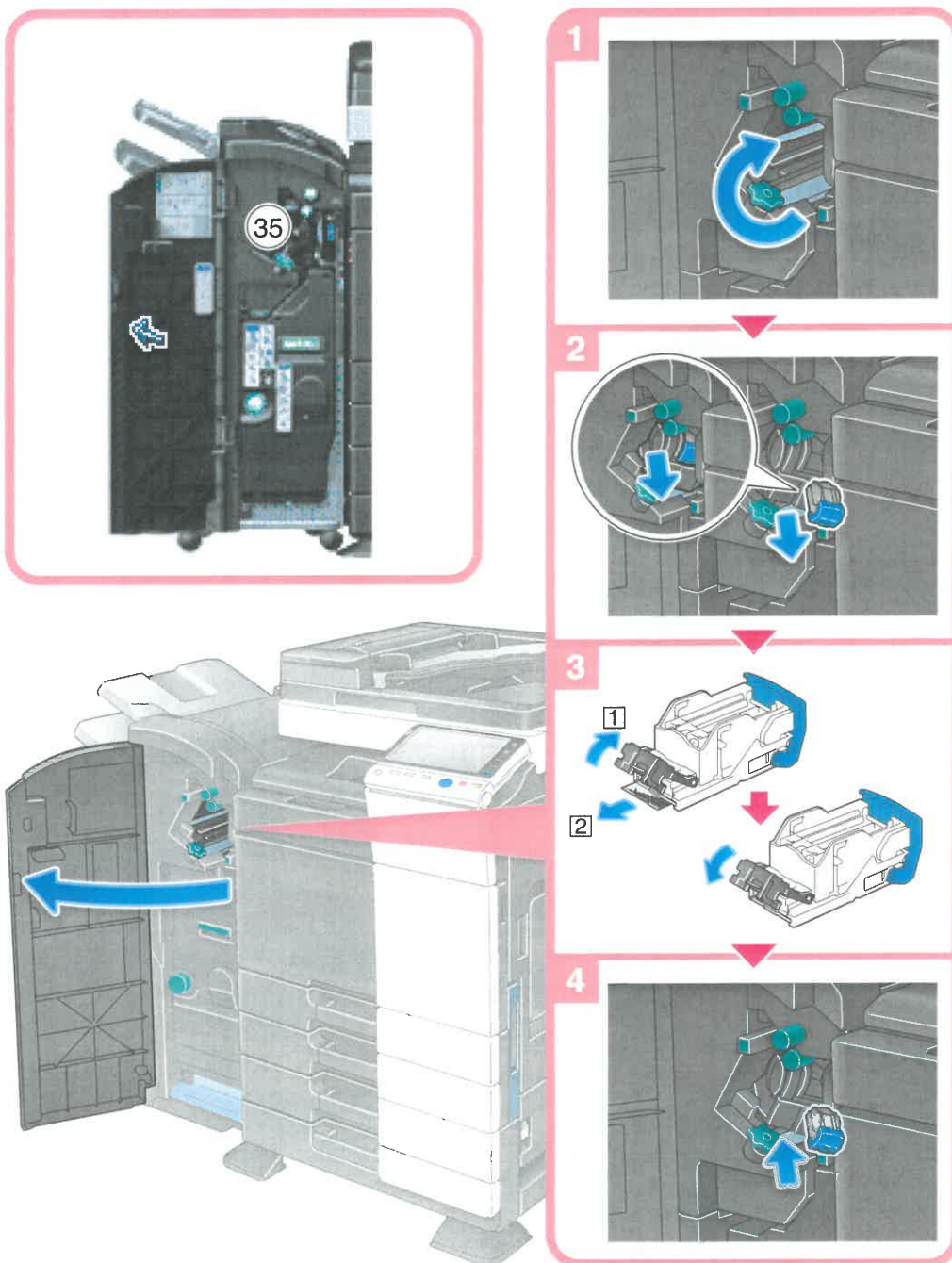
Tips

- The figure above shows the **Finisher FS-535** equipped with **Saddle Stitcher SD-512** and **Punch Kit PK-521**.

NOTICE

When moving the **Saddle Stitcher**, be sure to only hold the handle. Otherwise, your hand or finger may get caught in the machine.

1.4.3 Staple Jam in Finisher FS-534



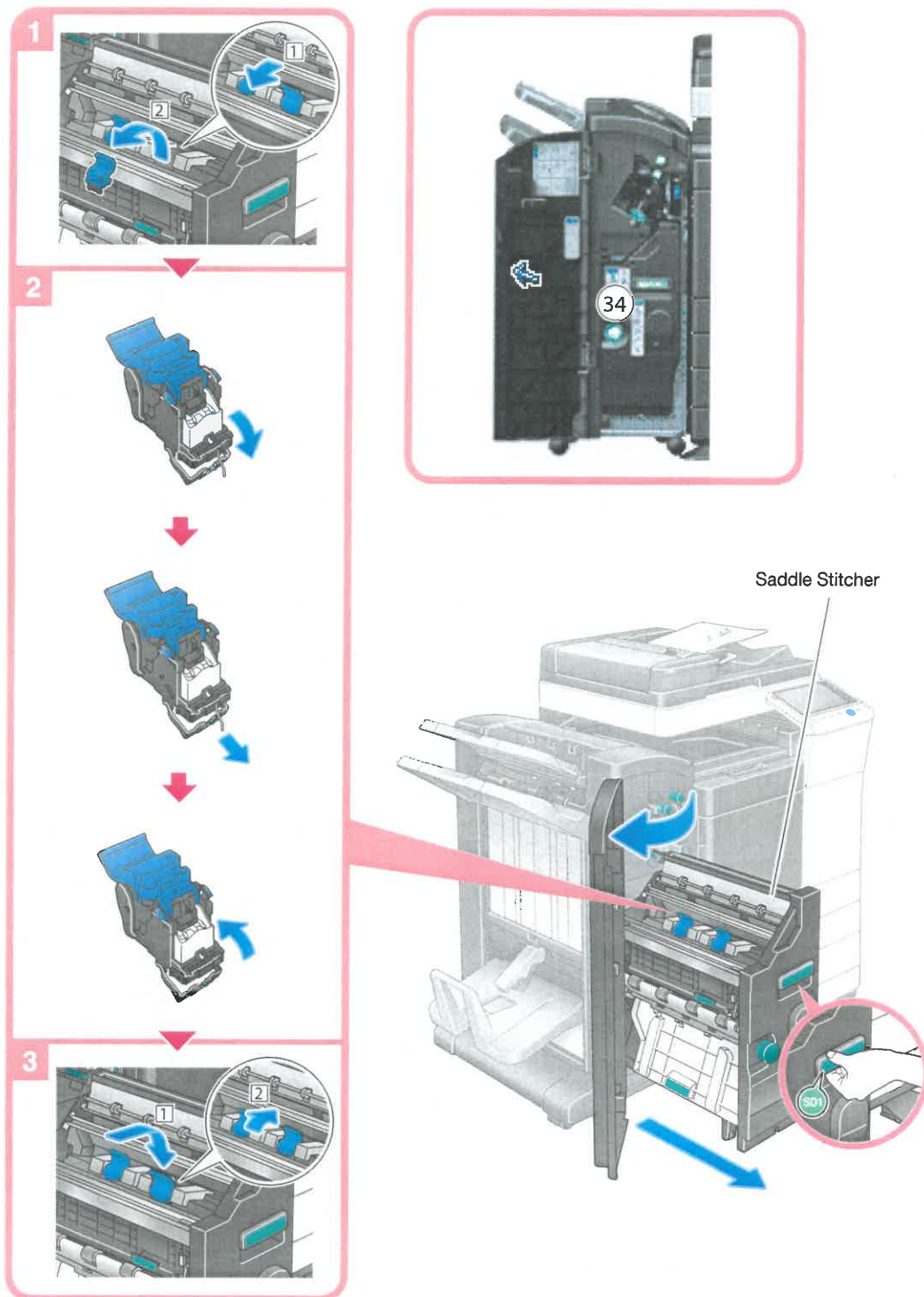
Tips

- The figure above shows the **Finisher FS-534** equipped with **Saddle Stitcher SD-511** and **Punch Kit PK-520**.

NOTICE

When removing a staple jam, do so carefully to prevent being injured.

1.4.4 Staple Jam in Saddle Stitcher SD-511



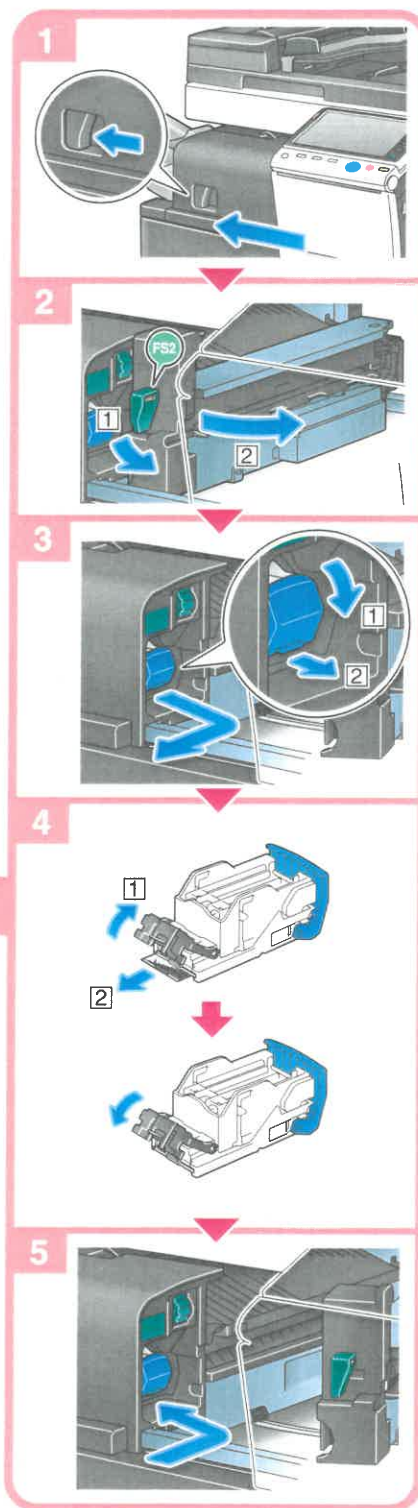
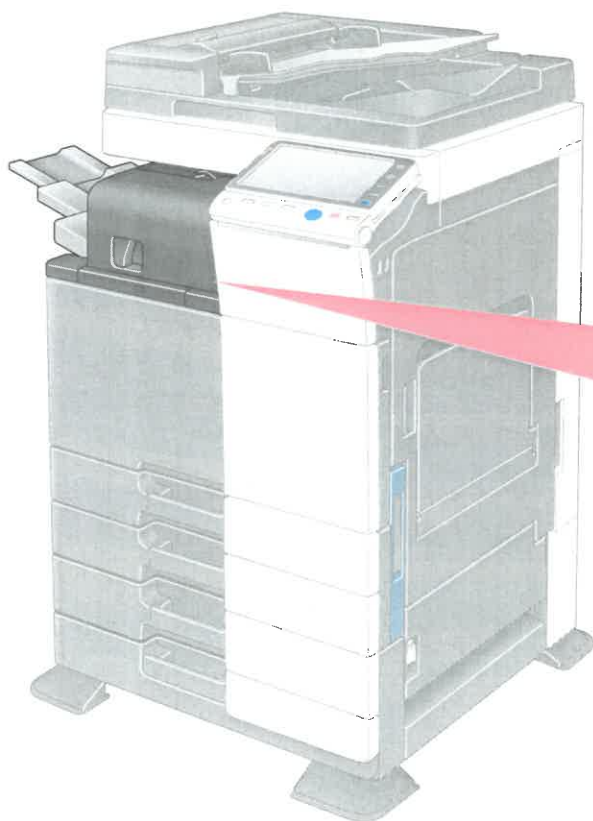
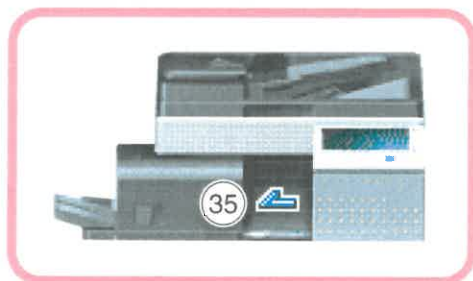
Tips

- The figure above shows the **Finisher FS-534** equipped with **Saddle Stitcher SD-511** and **Punch Kit PK-520**.

NOTICE

When moving the **Saddle Stitcher**, be sure to only hold the handle. Otherwise, your hand or finger may get caught in the machine.

1.4.5 Staple Jam in Finisher FS-533



Tips

- The figure above shows the **Finisher FS-533** that is equipped with the **Punch Kit PK-519**.

NOTICE

When removing a staple jam, do so carefully to prevent being injured.

